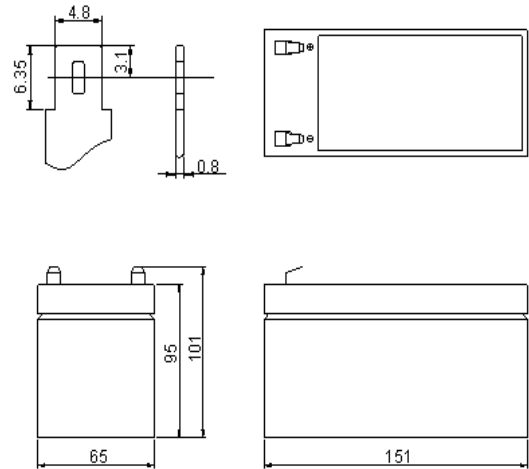
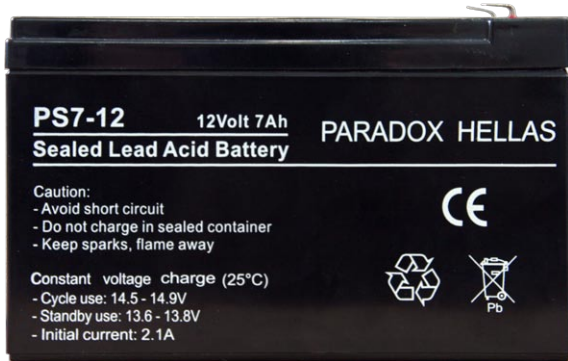


PS7-12 (12V7Ah)

Sealed Lead-Acid Battery

PARADOX HELLAS S.A.
fire alarm & security systems



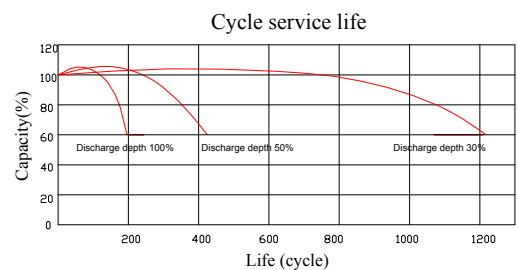
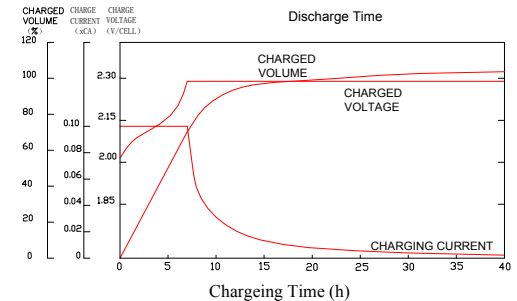
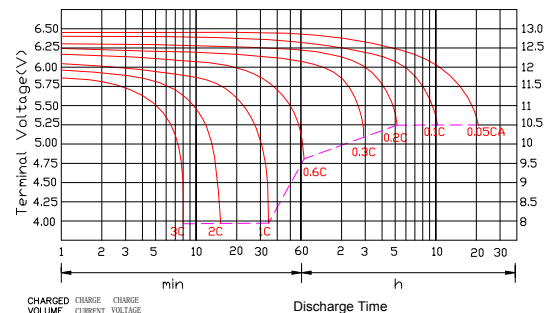
Specifications

Nominal Voltage		12V
Rated Capacity		7Ah
Dimensions	Total Height	3.98 inches (101mm)
	Height	3.74 inches (95mm)
	Length	5.94 inches (151mm)
	Width	2.56 inches (65mm)
Approximate Weight		4.52 lbs. (2.05kg)

Characteristics

Capacity 77°F(25°C)	20h rate	7.00Ah
	10h rate	6.50Ah
	5h rate	5.95Ah
	1h rate	4.20Ah
	15 min rate	3.15Ah
Internal Resistance	Full Charged Battery 77°F(25°C)	25m Ω
Capacity Affected by Temperature (20h rate)	104°F(40°C)	102%
	77°F(25°C)	100%
	32°F(0°C)	85%
	5°F(-15°C)	65%
Self-Discharge 68°F(20°C) (Capacity after)	3 month storage	90%
	6 month storage	80%
	12 month storage	60%
Max. Discharge Current 77°F(25°C)	105A(5s)	
Terminal	T1, T2	
Charge (Constant Voltage, 25°C)	Cycle	14.5~14.9V(-24mV/°C) max. current: 2.1 A
	Float	13.6~13.8V(-18mV/°C)

DISCHARGE CHARACTERISTICS AT 25° C(77° F)



Constant Current Diacharg Characteristics (A, 25°C)

F.V/TIME	5min	10min	15min	30min	60min	3h	5h	10h	20h
9.60V	27.0	18.0	14.0	8.40	4.70	1.73	1.15	0.71	0.37
10.2V	25.7	17.1	13.4	8.06	4.55	1.70	1.13	0.70	0.36
10.5V	24.2	16.1	12.7	7.66	4.35	1.65	1.10	0.68	0.35

Constant Current Diacharg Characteristics (Watt, 25°C)

F.V/TIME	5min	10min	15min	30min	60min	3h	5h	10h	20h
9.60V	301	203	160	94.2	54.4	20.6	13.8	8.52	4.43
10.2V	287	191	153	90.4	52.7	20.2	13.6	8.40	4.33
10.5V	270	180	145	86.0	50.4	19.6	13.2	8.17	4.21